



**LP Gas Outlet Point
No. 6087**
For use with LP gas

User Instructions

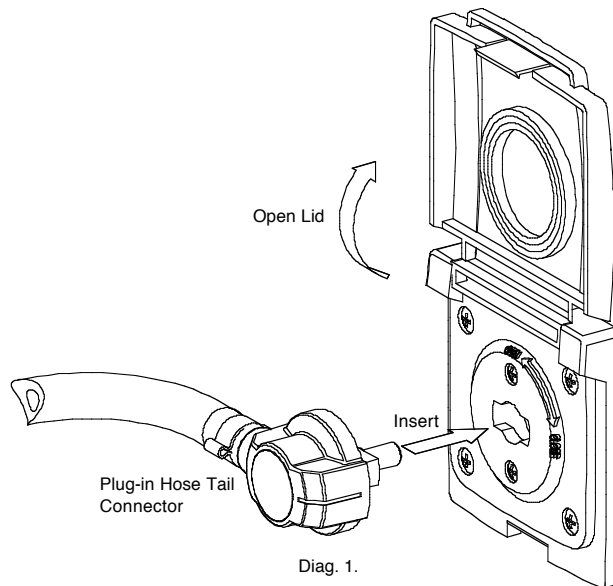
The LP Gas Outlet Point is a convenient way of connecting your outdoor LP gas accessory e.g. barbecue to an internal LP gas supply. Ensure that any LP gas accessory that is to be connected through the LP Gas Outlet Point has an operating pressure that is compatible with the internal LP gas supply. (This would normally be 30 or 37 mbar.).

Safety:

- Read the appliance manufacturers instructions in conjunction with these instructions before using the equipment.
- Use only in accordance with the instruction.
- Only use LP gas appliances with an operating pressure equivalent to the internal supply pressure.
- Do not use LP gas appliances having an integral pressure regulator.
- Do not connect NON LP gas appliances to the outlet point.
- Always use LP gas appliances in well ventilated areas and keep flexible gas hoses away from all sources of ignition.
- If the equipment, including the LP Gas Outlet Point is leaking, malfunctioning or damaged; do not use it.
- Never attempt to modify the equipment or use it for purposes for which it was not intended.
- Keep LP gas equipment away from children.

Routine Maintenance:

- The LP Gas Outlet Point should only require regular cleaning, ensure that the rubber seal is in place in the lid, when the lid is closed it keeps the internal valve seals free from the ingress of dirt and grime.
- Keep the Plug-in hose tail connector clean and free from damage, it forms a gas seal on assembly to the outlet point. A damaged spigot could cause a gas leak.
- Check the flexible hose each time you connect the appliance to the outlet point, replace damaged or worn hose.



Assembly:

- Attach a suitable length of 8 mm bore flexible rubber hose suitable for use with LP gas (It is recommended that you use high pressure orange hose to BS 3212 type 2) to the ribbed spigot of the Plug-in hose tail connector and the LP gas appliance. Secure each end of the hose by using swage or crimp clips, ensure that they are attached correctly and that they hold the hose securely.

Connection:

- Open the gas accessory outlet panel lid fully to engage detent. (See diag. 1).
- Ensure that any control valves on the appliance are in the OFF position and insert the plug-in hose tail connector into the outlet panel and turn counter clockwise through 90° (from 'close' to 'open'). (See diag. 2).
- Before using the equipment check that the plug-in connector and the hose assembly are free from any gas leaks by using a leak detecting fluid or a soap solution. Correct any leaks before using the appliance.

NEVER SEARCH FOR GAS LEAKS USING A NAKED FLAME.

Disconnection:

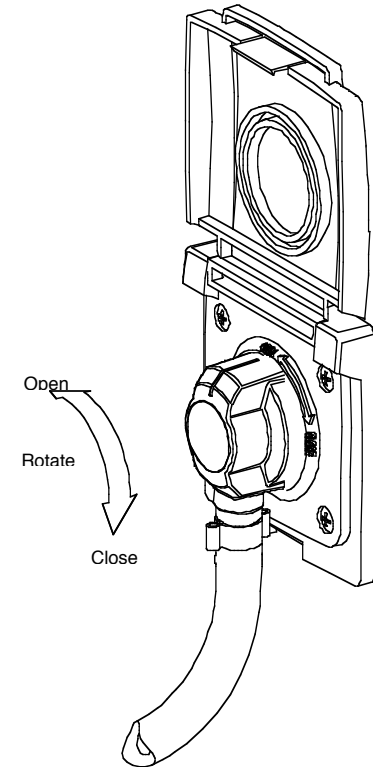
- After use turn off the gas at the appliance control valve, then disconnect the plug-in connector from the outlet point by turning it to the close position and removing it. The LP Gas Outlet Point has an integral valve that shuts off the gas supply before the plug-in connector is removed, ensuring that no gas can escape from the outlet point during connection and disconnection.
- Close lid fully.

Note: To prevent accidental damage to the equipment, always ensure that the clip on the lid is fully engaged.

Accessories:

The Plug-in Hose tail Connector is available as an accessory. Contact Bullfinch (Gas Equipment) Limited or your local dealer for more information.

- Plug-in Hose Tail Connector No. SP 6087 D



Bullfinch (Gas Equipment) Limited.

Diadem Works, Kings Road, Tyseley, Birmingham. B11 2AJ England.
Tel: +44 (0)121 706 6301 Fax. +44 (0)121 707 0995
e-mail: sales@bullfinch-gas.co.uk
Web: www.bullfinch-gas.co.uk