

INSTRUCTION MANUAL FOR CAST IRON STOVE



CA-GB10

Warning:

Use outdoors only.

Read these instructions before using this appliance and keep for future reference.

These instructions give some important information about the installation, the use and the maintenance of this appliance. Please take time to read these instructions so that you can safely enjoy the full use of this gas stove for many years.

WARNING

- Lifestyle Appliances declines any responsibility connected to the wrongful installation or use of this appliance..
- Before installing and using this gas appliance, please read carefully all the instructions. If you do not follow these instructions for installation and use, you may risk accidents or deterioration in the condition of this appliance.
- Before opening the appliance for repairing or cleaning, please switch off and make sure all parts are cold to prevent burns.
- This gas appliance must only be used outdoors.
- This gas appliance should be used on a flat and non flammable surface.
- Do not move the appliance during use.
- Turn off the gas supply at the gas bottle after use.
- Any modification of the appliance may be dangerous and is not permitted.

MODEL.....GAS STOVE CA-GB10

| Category | Gas Type And Pressure | Countries |
|----------------|--|---|
| I3+ (28-30/37) | G30 Butane at 28-30 mbar, G31 Propane at 37 mbar. | BE, CH, CY, CZ, DE, ES, FR, GB, IE, IT, LV, LT, LU, PT, SK, SI. |
| I3B/P(30) | Butane at 30 mbar. | BE, CY, FR, GB, IT, LT, LU, SK, SI. |

Norminal Capacity..... 8.0 KW
 Gas Consumption..... 571 g/h

MADE IN CHINA

Warning :

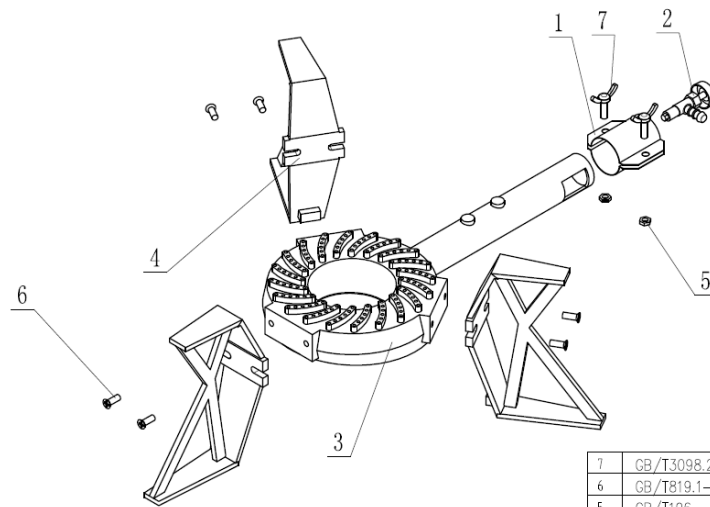
KEEP OUT OF REACH OF CHILDREN !

This appliance is not fitted with Auto-ignition,so please use a match or taper to light the appliance.

Manufacturer: Yongkang Chenao Gas Appliance Co., Ltd
 Address: Qingxi Industrial Area, Yongkang, Zhejiang, China

Distributor : Lifestyle Appliances Ltd
 Unit 66 Enfield Ind Est
 Redditch
 Worcestershire B97 6DE
 Tel : 01527 65126 Fax : 01527 548523
 email : sales@lifestyleappliances.co.uk

ASSEMBLY INSTRUCTIONS



| 7 | GB/T3098.20-04 | DISC BOLT 20*6.0 | 2 | STEEL |
|-----|----------------|----------------------|--------|-----------|
| 6 | GB/T819.1-2000 | SCREW 16*6.0 | 6 | STEEL |
| 5 | GB/T196 | HEX NUT 6.0 | 2 | STEEL |
| 4 | CA-GB10-004 | FLAME OF STOVE | 3 | GRAY IRON |
| 3 | CA-GB10-003 | BURNER | 1 | GRAY IRON |
| 2 | CA-GB10-002 | VALVE | 1 | BRASS |
| 1 | CA-GB10-001 | AIR-VENT-DOOR-BURNER | 2 | IRON 0.5 |
| NO. | PART NO. | NAME | NUMBER | MATERIAL |

1. Use the NO.6 screw to fix three frames(NO.4) to the burner(NO.3).
2. Put the air-vent-door on the burner then Use NO.7 screw AND NO.5 nut to fix it (THIS MAY BE ALREADY FITTED TO YOUR BURNER)
3. Fix the valve(NO.2) onto the burner securing it with the brass locking nut.

1) IMPORTANT SAFETY INFORMATION FOR THE CORRECT SET UP AND USE OF THIS APPLIANCE. (GAS HOSE AND REGULATOR IS NOT INCLUDED WITH THIS APPLIANCE)

1. Push the gas hose onto the hose tail of the control valve until none of the hose tail is visible and secure tightly with a screwed hose clip.
2. Push the other end of the gas hose onto the hose tail of the regulator until none of the hose tail is visible and secure tightly with a screwed hose clip
3. The regulator must comply with the requirements of EN 12684 :2001,
4. The hose used must conform to the relevant standard for the country of use, and the length cannot exceed 1.50m. Worn or damaged hose must be replaced.
5. The gas supply hose should be checked periodically and should be replaced if damaged or at least every two years.
6. This appliance is rated I3+ and as such can ONLY be used with either 13Kg Propane or 15Kg Butane gas bottles.
7. **BEFORE USING THIS APPLIANCE YOU MUST CONDUCT A LEAK TEST AS DESCRIBED ON PAGE 4**

Leak testing:

Leak test each time a new gas bottle is connected or after a long period without having used the appliance.

Make sure that the valve is in correct alignment with the venturi.

Make sure that the hose has no cracking and splitting and is away from bottom casting of the appliance before each use.

IMPORTANT: if you cannot stop a gas leak, turn off the gas bottle valve or regulator lever and disconnect the regulator from the gas bottle then call your local gas dealer.

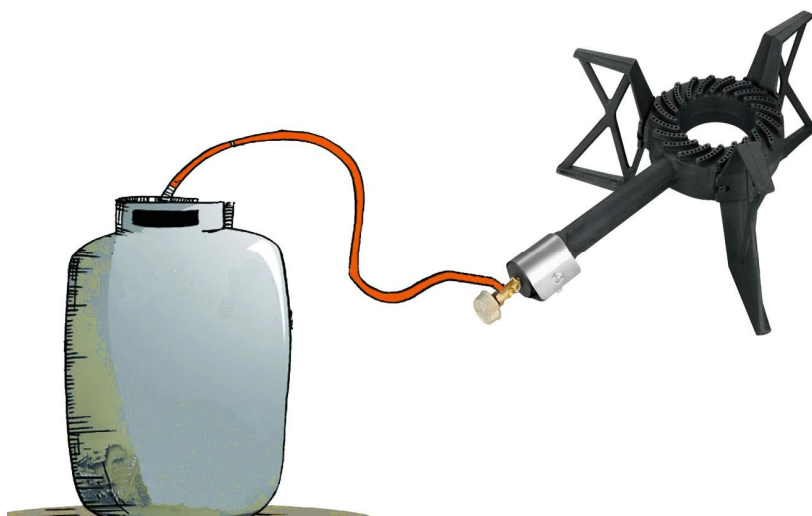
Perform this leak away from open flames or sparks and do not smoke!

1. Make 2-3 fluid ounces of leak detecting solution by mixing one part washing up liquid with 3 parts water.
2. Make sure that all the control knobs are in OFF position.
3. Connect the regulator to the gas bottle.
4. After you are sure of the safe connection, completely open the gas bottle valve or turn your gas regulator to the on position.
5. Brush the following parts with soapy water:
 - gas tank valve
 - regulator
 - hose and hose connections
 - valves
 - welds or seams on the gas tank

IMPORTANT!

If bubbles appear, there is a gas leak, Turn off the gas tank valve or regulator to the off position immediately!

6. If there is a leak, re-tighten all the gas connections and repeat procedure (step 2 to step6). After the leak test, turn off the gas supply at the bottle or regulator
7. If the leak continues, do not try to fix the problem yourself. Please consult with your LPG supplier.



Be very careful when you use this stove under 0°C. When the temperature is under 0°C, the rubber joints may harden and cause a gas leak.

Always make sure that the gas does not leak before and after the stove ignition.

The use of a stove whilst leaking may cause fires, burns, serious injuries or death.

Keep children away from the stove and the gas bottle - Lifestyle recommends a distance of more than 3 meters.

Never leave a hot or ignited stove unattended.

When installing the flexible gas hose, it should be far away from any hot and sharp objects.

When changing the flexible gas hose, it is necessary to follow the criteria set down according to the local standards in force.

2) Installation of the stove

1. Remove any combustible material or flammable liquids or vapours from the cooking area.
2. Put the stove on a solid, stable and flat surface to ensure the stability of the stove.
3. Totally open the pan supports.
4. The flexible gas hose should be far away from the hot and sharp objects to ensure that it is not subjected to twisting or damage.
5. The cooking area should be well ventilated.
6. When changing the gas cylinder, it must be carried out away from any source of ignition.
7. In order to protect the surface, the temperature of the surface on which the stove is placed cannot exceed 50k.

WARNING

Move away any combustible material from more than 1.2 meters of the ignited stove or a stove you want to turn on.

Move away any flammable liquid or vapours from more than 7.6 meters of the turned-on stove or a stove you want to turn on.

This stove can set fire to combustible material, liquids or flammable vapours and lead to fire, burn, serious injuries or death.

Move away any empty gas bottles from the stove burner and any heat sources.

Isolate any empty gas bottles by moving them away from the burner as much as possible.

This appliance must be kept away from any inflammable materials

3) Ignition of the stove

1. Keep a match or a lighter lighted above the burner head.
2. Open the control valve to release the gas and light the burner.
3. If the burner has not lit, turn off the control valve, wait 5 minutes and repeat step 1.
4. When the burner is alight you can adjust the flame by rotating the control knob on the gas valve.
5. **To turn the stove off turn the cylinder valve or regulator switch to the OFF position.** WHEN THE FLAME HAS EXTINGUISHED turn the control knob on the gas valve to the off position.
6. Wait at least 5 minutes for the appliance to cool properly before cleaning or moving.

WARNING

Never put your head or your body above the ignited stove when you light it or cook on it. This is a dangerous behavior that may lead to fire, burn, serious injuries or death.

4) Use of the stove for cooking

1. Put food or liquid in a suitable container (or kitchenware).
2. Put the kitchenware in the middle of the stove.
3. Turn the control valve to adjust the heat.
4. Please clean and maintain it as well as the frequency of use
5. Turn off the gas supply immediately in the event of gas leak
6. When handling particularly hot components, it is recommended to use protective gloves.

WARNING

Never move a hot or ignited stove. Switch the stove off and wait until it is cold more than 5 minutes before moving it. To move a hot or turned-on stove may lead to fire, burn, serious injuries or death.

Never group together one or many stoves. Never use any stove to heat empty or dry pans. Such a use of the stove may lead to fire, burn, serious injuries or death.

Never use kitchenware that is unsuitable for the stove - especially the pan support (convex or concave bottom, some enamelled kitchenwares, etc). The use of unsuitable kitchenware may lead to the instability of the stove. It could fall over and lead to fire, burns, serious injuries or death.

The part sealed by the manufacture or his agent cannot be altered by the users.

WARNING

Always separate the stove to the gas bottle before storing. If you do not remove the gas cylinder before storage it may leak gas and cause a fire, burns, serious injury or death. Always store gas cylinders in a well ventilated area away from any potential source of heat or ignition, including: water heaters, stoves or boilers, or in a place where the temperature exceeds 49 ° C. The storage of cylinders near sources of heat or ignition when the temperature exceeds 49 ° C can cause an explosion and result in fire, burns, severe injury or death.

5) Problems

| Bad performance | Origin | Solution |
|----------------------------|-------------------|---------------------|
| Small flame | Weak level of gas | Change gas cylinder |
| Gas Stove does not turn on | Gas cylinder cold | Change gas cylinder |
| Windy weather condition | | Use screen |
| Empty gas cylinder | | Change gas cylinder |